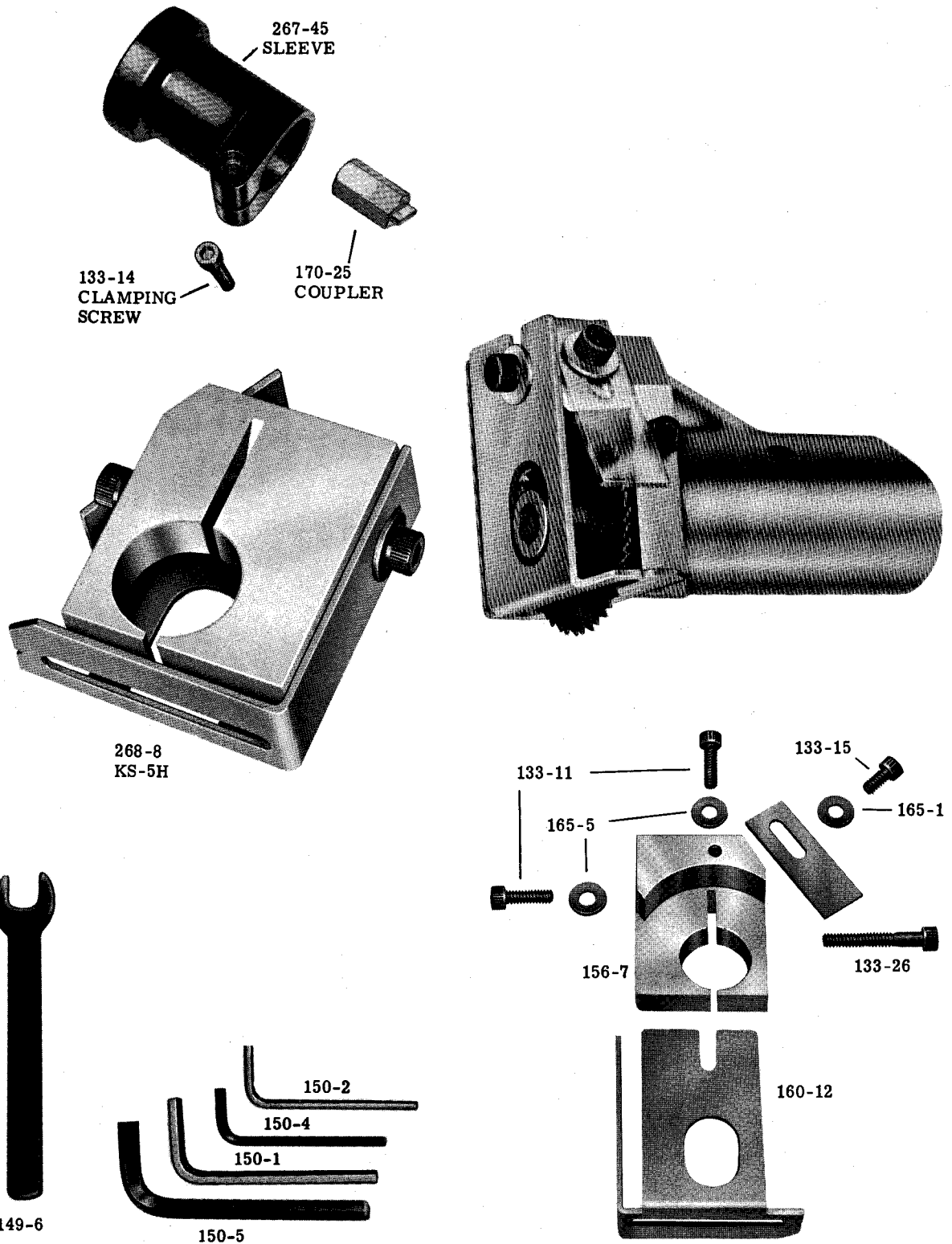


COMPONENT PARTS OF KS-5 SAW UNIT

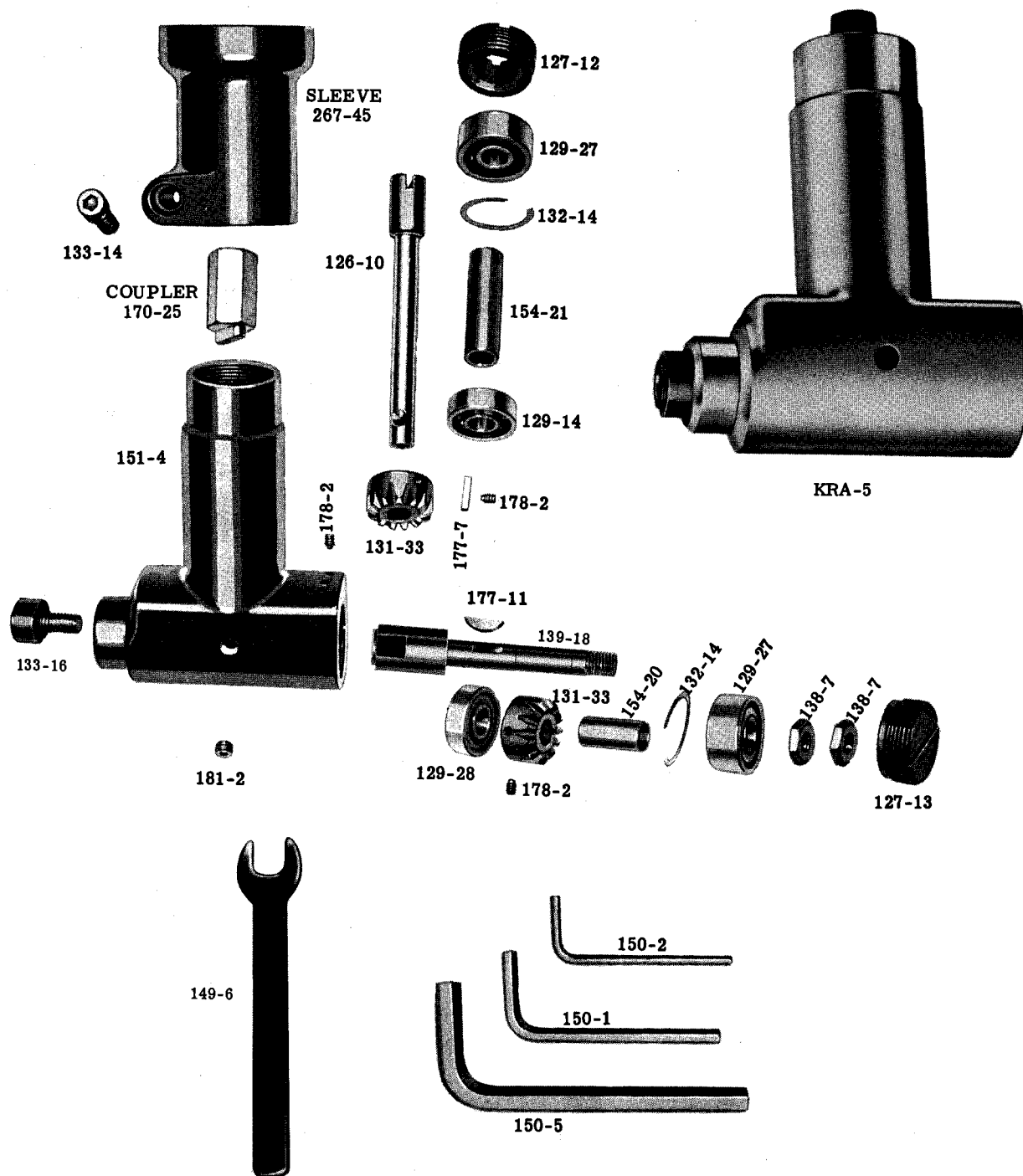


PART NO.	DESCRIPTION	PART NO.	DESCRIPTION	PART NO.	DESCRIPTION
133-11	Saw Guard Screw	150-2	1/8" Socket Key	165-1	Spacer Washer
133-14	Clamping Screw	150-4	5/32" Socket Key	170-25	Safety Shear Coupler
133-15	Saw Shield Screw	150-5	5/16" Socket Key	267-45	Connecting Sleeve
133-26	Clamping Screw	156-7	Saw Body	268-8	KS-5H Saw Body & Guard Assembly
149-6	Spindle Wrench	160-12	Saw Guard		
150-1	3/16" Socket Key	164-8	Saw Shield		

THE KETT TOOL CO. 5055 Madison Road CINCINNATI, OHIO 45227

TEL. (513) 271-0333

COMPONENT PARTS FOR KRA-5 GEARED ANGLE HEAD



PART NO.	DESCRIPTION
126-10	Input Spindle
127-12	Retaining Screw
127-13	Retaining Screw
129-14	Ball Bearing
129-27	Ball Bearing
129-28	Ball Bearing
131-33	Mitre Gear
132-14	Shim
133-14	Clamping Screw

PART NO.	DESCRIPTION
133-16	Spindle Bolt
138-7	Jam Nut
139-18	Output Spindle
149-6	Spindle Wrench
150-1	3/16 Socket Key
150-2	1/8 Socket Key
150-5	5/16 Socket Key
151-4	Housing
154-20	Sleeve

PART NO.	DESCRIPTION
154-21	Sleeve
170-25	Coupler
177-7	Square Key
177-11	Woodruff Key
178-2	Socket Head Set Screw
181-2	Screw Plug
267-45	Sleeve