

PORTABLE ELECTRIC AND PNEUMATIC DRILLS TO WHICH KETT KS-1 SAWS CAN BE ATTACHED

NOTE: These portable electric and pneumatic drills to perform as efficient power units in combination with the KETT SAW for general purpose cutting should have a speed range within 1500 to 2500 RPM. For cutting mild steel the ideal speed range is 1600 to 1800 RPM although a speed up to 2000 RPM will work satisfactorily. Higher speeds up to 2500 RPM are permissible and often desirable for cutting aluminum, Masonite, plywood, plastics and Fiberglass.

A sleeve and coupler are required to rigidly attach the KETT SAW to the power unit. The sleeve is substituted for the bearing retaining cap or nut on the gear case directly behind the chuck, while the coupler takes the place of the chuck on the chuck spindle.

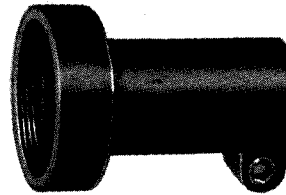
The following chart lists the proper sleeve and coupler needed to attach the KETT SAW to the various power units named.

PORTABLE ELECTRIC (UNIVERSAL AC/DC TYPE) POWER UNITS

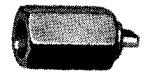
	Gear Case Thread Dimension	Kett Sleeve Number	Chuck Spindle Dimension	Kett Coupler Number
BLACK & DECKER All HOLSUN Models All 1/4" Standard Models All 1/4" & 5/16" Heavy Duty Models	1-3/8-20 NS-LH 1-1/2-20 NS-LH 1-5/8-20 NS-LH	267-7 267-2 267-10	3/8-24 1/2-20 1/2-20	170-3 170-9 170-9
BRADFORD Models 22, 24, 25, 26 & 32	1-11/16-16 NS-LH	267-26	3/8-24	170-25
CHICAGO PNEUMATIC (Electric) 1/4" Midget 800, 805, 806, 808 & 809 1/4" Standard 815, 816, 818, 820, 830 & 846	1-3/8-20 NS-LH 1-1/2-20 NS-LH	267-7 267-2	3/8-24 3/8-24	170-3 170-25
MALL (Electric) Models 143, 144, 145, 153, 380 & 381	1-1/2-20 NS-LH	267-2	3/8-24	170-25
MILLERS FALLS (Electric) Model #250	1-3/8-20 NS-LH	267-7	3/8-24	170-30
PORTER CABLE #515	1-3/8-20 NS-LH	267-7	3/8-24	170-3
SKIL (Electric) Models 45, 47, 49, 75, 78 & 134 Models 242, 243 & 253	1-1/4-24 NS-LH 1-3/8-16 NS-LH	267-6 367-2	3/8-24 1/2-20	170-3 170-9
SNAP ON Models V-8, Y-8, & YZ-8 Models ED 22, 24, 25, 26 & 32	1-1/4-24 NS-LH 1-11/16-16 NS-LH	267-6 267-26	3/8-24 3/8-24	170-3 170-25
STANLEY #234 & 235	1-1/4-20 NS-LH	267-46	3/8-24	170-3
THOR U-14-K & KS (Plastic Case) U-14-AP, D, DP & F Silver Line ED-1, ED-2	1-1/4-24 NS-LH 1-1/16-26 NS-LH 1-1/4-24 NS-LH	267-25 367-3 267-6	3/8-24 3/8-24 3/8-24	170-25 170-3 170-25

PORTABLE PNEUMATIC POWER UNITS

	Gear Case Thread Dimension	Kett Sleeve Number	Chuck Spindle Dimension	Kett Coupler Number
AIRETOOL Model 400 Series	1-5/16-16 NS-LH	267-50	3/8-24	170-3
ARO BDX-7174, PDX-7175, & LDX-7176 102, 3010, 7137, 7139, 7240, 7308, 7309, 7364, 7367 & 7386	1-1/16-18 NS-RH 1-3/8-18 NS-RH	267-4 267-15	3/8-24 3/8-24	170-25 170-3
BUCKEYE Models 11QM-HRD & 11QM-HTD	1-20 NF-LH	267-3	3/8-24	170-3
CHICAGO PNEUMATIC TOOL Model 301 Models 302, 3020 & 3060	1-20 NS-LH 1-1/4-24 NS-LH	267-3 267-6	3/8-24 3/8-24	170-3 170-25
CLECO Models 9D-10 & 9D-90-20A	15/16-20 NEF-LH	267-1	Coupler already on tool.	
MASTER PNEUMATIC Model 900	1-5/16-20 NS-LH	267-33	3/8-24	170-25
ROTOR Model M 850	1-1/4-24 NS-LH	267-6	3/8-24	170-25

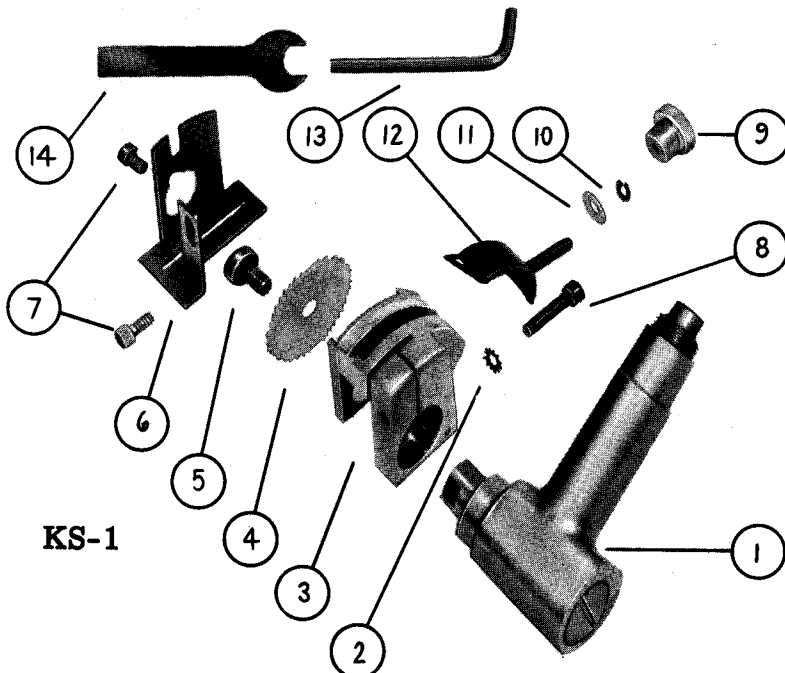


267-___ Sleeve



170-___ *Coupler

*Couplers 170-3 & 170-25 have a 3/8-24 thread. They differ from each other only in overall length. The 170-3 measures 1-5/16 while the 170-25 measures 1-1/8. The 170-9 coupler has a 1/2-20 thread - it's overall length is 1-1/32".



PARTS LIST

Reference Number	Part Number	Description
1	102-3A	KRA-2M Geared Angle Head
2	165-4	Shakerproof Lock Washer
3	156-1	Saw Body
4		Saw Blades Available in 1-1/4" and 1-1/2" Diameter with 22, 44 and 60 Teeth to the Periphery
5	133-7	Spindle Bolt
6	160-2	Guide Shoe
7	133-5	Guide Shoe Screw
8	133-3	Clamping Screw
9	161-1	Guard Thumb Nut
10	165-2	Lock Washer
11	165-1	Space Washer
12	164-2	Guard Assembly (KS-1)
13	150-1	3/16" Socket Screw Key
14	149-6	Spindle Wrench
	*170-?	Coupler
	*267-?	Sleeve

*Determine Coupler and Sleeve Part Number from above Chart.

THE KETT TOOL CO. 5055 Madison Rd. CINCINNATI, OHIO 45227

TEL. (513) 271-0333

K72-446

PARTS LIST

KRA-2 HEAVY DUTY RIGHT ANGLE HEAD

This service sheet applies to those heavy duty right angle heads bearing serial number 6896 and higher as well as those bearing the letter M in conjunction with any serial number.

<u>Part Number</u>	<u>Description</u>
126-3	Drive Spindle
127-14	Bearing Retaining Screw
127-8	Retaining Screw
129-1	Ball Bearing
129-6	Ball Bearing
129-16	Ball Bearing
131-22	Mitre Gear
132-9	Shim Washer
138-5	Hex Nut
139-10	Drill Spindle
151-2	Housing
153-1	Bearing Sleeve
154-2	Drive Spindle Spacer
154-15	Drill Spindle Spacer
176-1	Grease Slinger Washer
177-1	Woodruff Key
178-1	Gear Set Screw
178-2	Set Screw
181-2	Screw Plug

