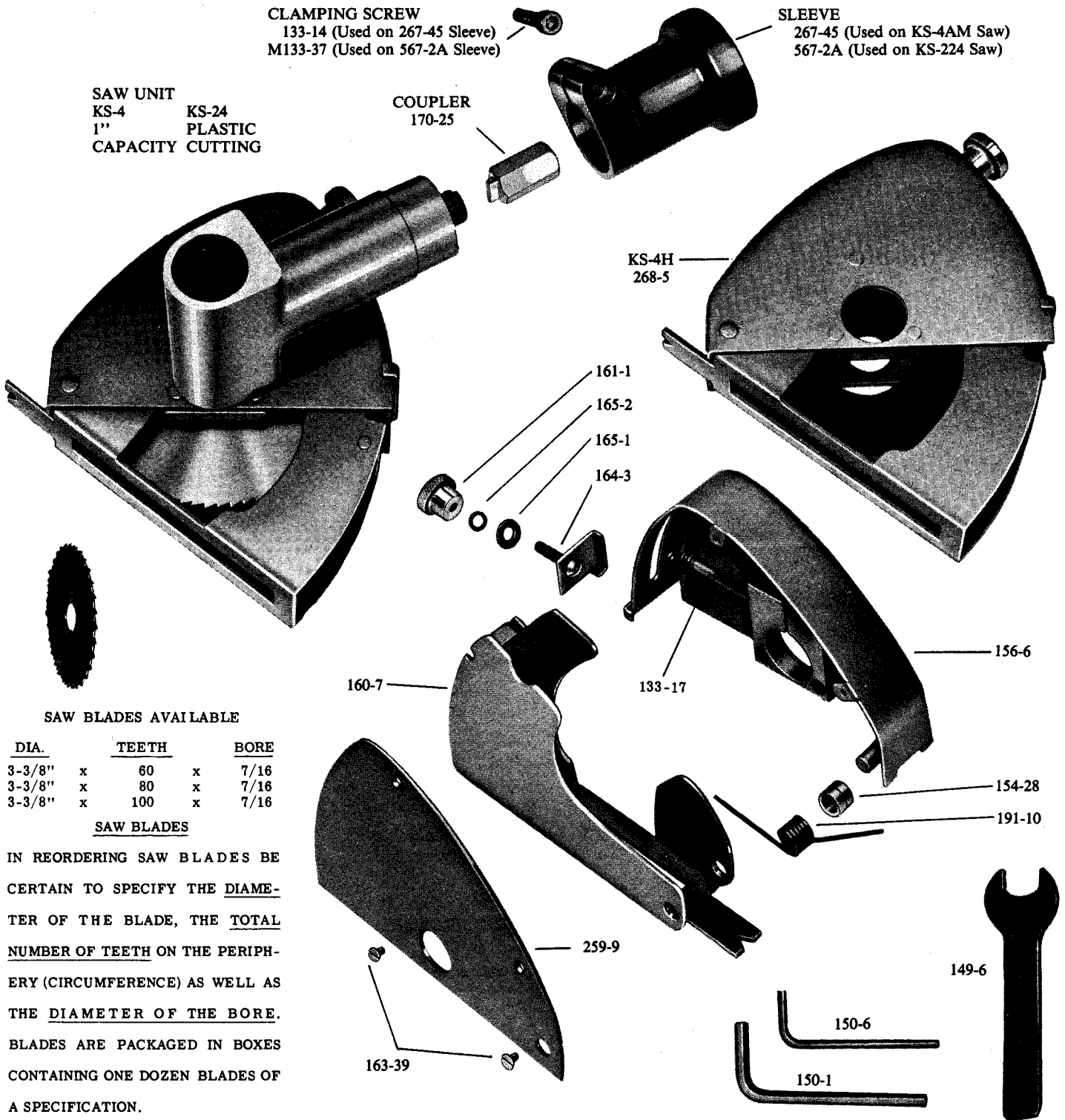


# COMPONENT PARTS FOR KS-4 AND KS-24 SAW HEADS



## SAW BLADES AVAILABLE

DIA.	TEETH	BORE
3-3/8" x	60 x	7/16
3-3/8" x	80 x	7/16
3-3/8" x	100 x	7/16

## SAW BLADES

IN REORDERING SAW BLADES BE CERTAIN TO SPECIFY THE DIAMETER OF THE BLADE, THE TOTAL NUMBER OF TEETH ON THE PERIPHERY (CIRCUMFERENCE) AS WELL AS THE DIAMETER OF THE BORE. BLADES ARE PACKAGED IN BOXES CONTAINING ONE DOZEN BLADES OF A SPECIFICATION.

PART NO.	DESCRIPTION
133-14	Clamping Screw for 267-45
133-17	Clamping Screw for 156-6
M133-37	Clamping Screw for 567-2A
149-6	Spindle Wrench
150-1	3/16" Socket Key
150-6	9/64" Socket Key
154-28	Spacer

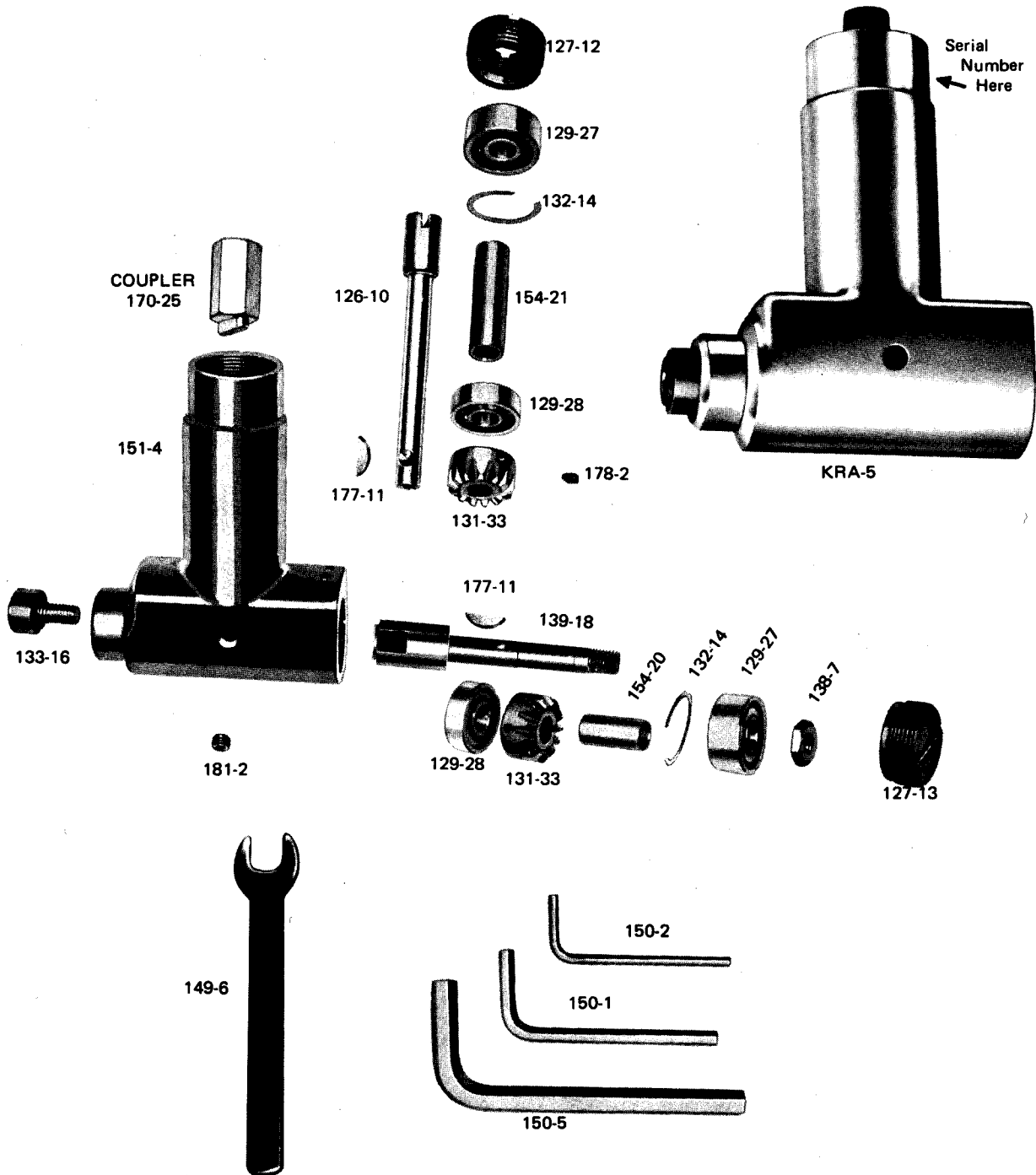
PART NO.	DESCRIPTION
156-6	Saw Body Shell Assembly
160-7	Saw Guide Shoe
161-1	Guard Thumb Nut
163-39	Flat Head Screw
164-3	Depth Stop Assembly
165-1	Spacer Washer
165-2	Lock Washer

PART NO.	DESCRIPTION
170-25	Coupler
191-10	Guard Coil Spring
259-9	Saw Body Cover Plate
267-45	Sleeve for KS-4AM Saw
268-5	KS-4H Saw Body & Guard Assembly Only
567-2A	Sleeve for KS-224 Saw

THE KETT TOOL CO. 5055 Madison Road CINCINNATI, OHIO 45227

# COMPONENT PARTS FOR KRA-5 GEARED ANGLE HEAD

(Serial Number 15241 & Higher)



Part No.	Description	Part No.	Description	Part No.	Description
126-10	Input Spindle	133-16	Spindle Bolt	151-4	Housing
127-12	Retaining Screw	138-7	Jam Nut	154-20	Sleeve
127-13	Retaining Screw	139-18	Output Spindle	154-21	Sleeve
129-27	Ball Bearing	149-6	Spindle Wrench	170-25	Coupler
129-28	Ball Bearing	150-1	3/16 Socket Key	177-11	Woodruff Key
131-33	Mitre Gear	150-2	1/8 Socket Key	178-2	Socket Head Set Screw
132-14	Shim	150-5	5/16 Socket Key	181-2	Screw Plug
133-14	Clamping Screw				

**KETT TOOL CO.** 5055 Madison Road  
 TELEPHONE: (513) 271-0333

**CINCINNATI, OHIO 45227-1494**  
 FAX: (513) 271-5318