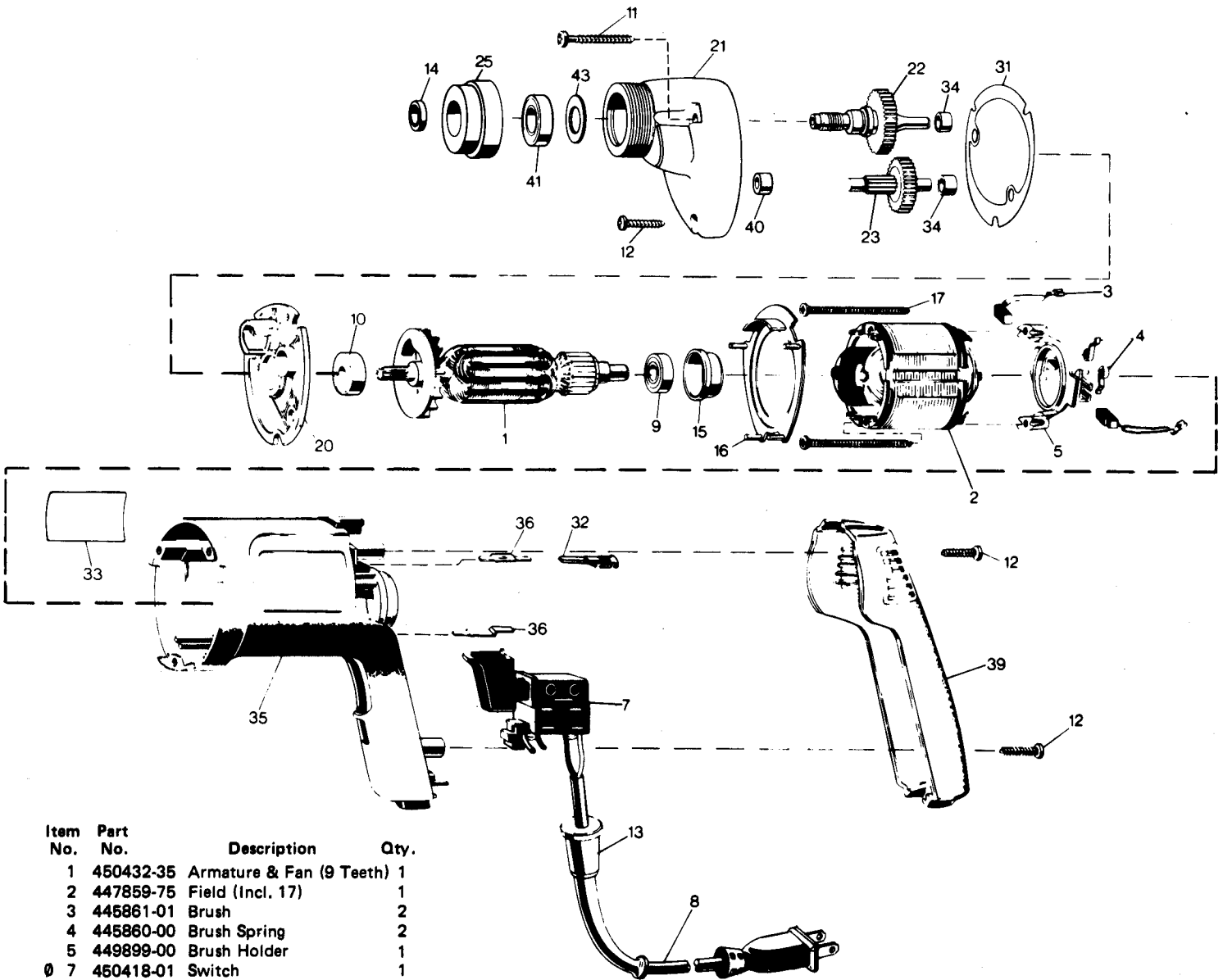




Component Motor Unit Model 253-50
240 VOLTS, 2.3 AMPS, 2500 RPM, VARIABLE SPEED SWITCH

PARTS LIST



Item No.	Part No.	Description	Qty.
1	450432-35	Armature & Fan (9 Teeth)	1
2	447859-75	Field (Incl. 17)	1
3	445861-01	Brush	2
4	445860-00	Brush Spring	2
5	449899-00	Brush Holder	1
Ø 7	450418-01	Switch	1
8	450419-00	Cord & Plug (18-2 SJ)	1
Ø 9	400285-00	Ball Bearing	1
Ø 10	400285-00	Ball Bearing	1
11	95048-00	8-16 x 1-1/2" Thread Forming Screw	2
12	86964-00	8-16 x 23/32" Thread Forming Screw	3
13	24288-00	Cord Protector	1
14	449893-00	Spacer	1
15	445217-01	Sleeve	1
16	447866-00	Fan Baffle	1
17	448269-00	6-19 x 2-1/4" Thread Forming Screw	2
20	448658-00	Gear Case Cover (Incl. 10, 34)	1
Ø 21	448666-02	Gear Case (Incl. 40)	1
22	445352-01	Spindle & Gear (37 Teeth) (3/8-24 Thd.)	1
23	132323-05	Int. Gear & Pinion (44/15 Teeth)	1
Ø 25	449368-00	Bearing Cap	1

Item No.	Part No.	Description	Qty.
31	133954-01	Gasket	1
32	449192-00	Terminal	2
33	449645-02	Caution Label	1
34	93128-00	Needle Bearing	2
35	447838-03	Field Case (Incl. 36)	1
36	445881-00	Contact Strip (Field-Terminal-Short)	2
39	447867-03	Handle Cover	1
40	93129-00	Needle Bearing	1
Ø 41	450431-00	Ball Bearing	1
43	449892-00	Washer	1

Ø NOTES:

- 7 Switch does not lock "ON"
- 9 Press Bearing flush with end of shaft; seal faces Commutator
- 10 Press Bearing to bottom of bore; seal faces Gear
- 21 Gear Case holds 3/4 oz. B&D heavy-duty grease ML54-1
- 25 Clean threads on Gear Case and Bearing Cap. Apply Loctite 601, and assemble.
- 41 Seal faces Gear.