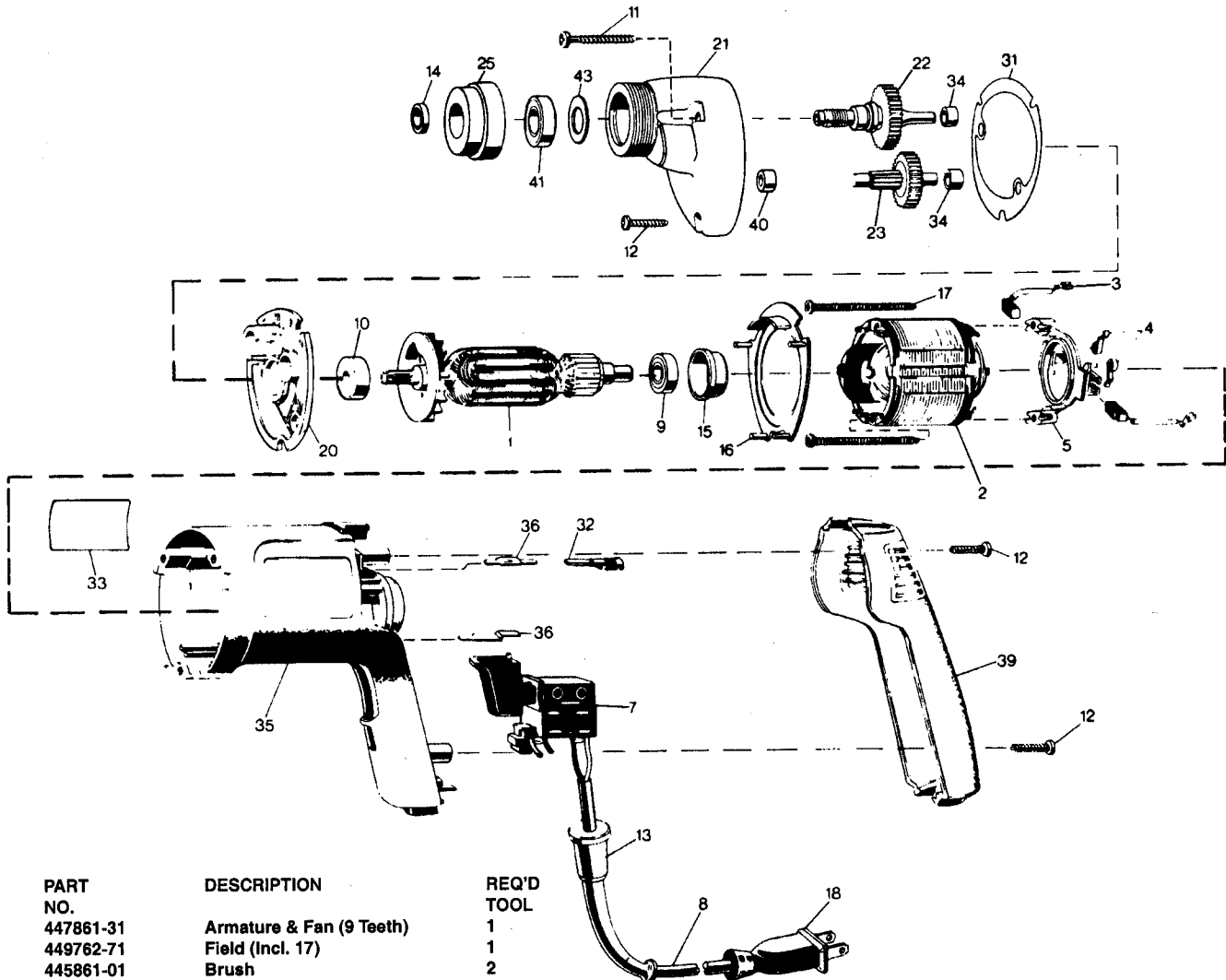




Component Motor Unit Model 253-49

Used on K-442, KE-440, and KE-441 Shears; KS-423, KS-426 and KSV-432 Saws

PARTS LIST



ITEM NO.	PART NO.	DESCRIPTION	REQ'D TOOL
1	447861-31	Armature & Fan (9 Teeth)	1
2	449762-71	Field (Incl. 17)	1
3	445861-01	Brush	2
4	445860-00	Brush Spring	2
5	445884-00	Brush Holder	1
7	447868-00	Switch	1
8	448557-98	Cord & Plug (18-2SJ)	1
*9	400285-00	Ball Bearing	1
*10	400285-00	Ball Bearing	1
11	95048-00	8-16 x 1-1/2" Thread Forming Screw	2
12	978114-00	8-16 x 13/16" Thread Forming Screw	3
13	24288-00	Cord Protector	1
14	449893-00	Spacer	1
15	445217-00	Sleeve	1
16	447866-00	Fan Baffle	1
17	448269-00	6-19 x 2-1/4" Thread Forming Screw	2
18	234900-02	Attachment Plug	1
20	448658-00	Gear Case Cover (Incl. 10,34)	1
*21	448666-02	Gear Case (Incl. 40)	1
22	445352-01	Spindle & Gear (37 Teeth 3/8-24 Thd.)	1
23	132323-05	Int. Gear & Pinion (44/15 Teeth)	1
*25	449368-00	Bearing Cap	1

ITEM NO.	PART NO.	DESCRIPTION	REQ'D TOOL
31	133954-01	Gasket	1
32	449192-00	Terminal	2
33	449645-01	Caution Label	1
34	93128-00	Needle Bearing	2
35	447838-03	Field Case (Incl. 36)	1
36	445881-00	Contact Strip (Field-Terminal-Short)	2
39	447867-01	Handle Cover	1
40	93129-00	Needle Bearing	1
*41	49423-02	Ball Bearing	1
43	449892-00	Washer	1

***NOTES:**

9 Press Bearing flush with end of shaft; seal faces Commutator

10 Press Bearing to bottom of bore; seal faces Gear

21 Gear Case holds 3/4 oz. B&D heavy-duty grease ML 54-1

25 Clean threads on Gear Case and Bearing Cap. Apply Loctite 601 and assemble.

41 Seal faces Gear