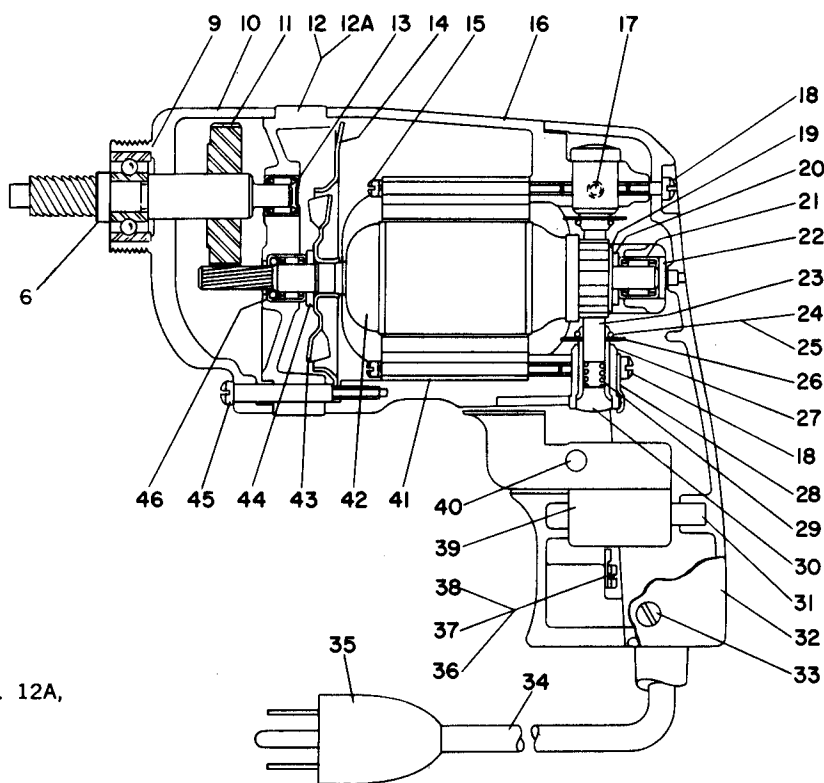
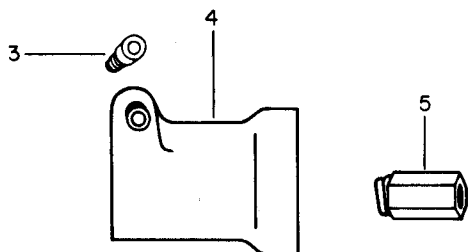




Model 253-31 Power Unit PARTS LIST



PARTS IDENTIFICATION

Index No.	Part No.	Description
3	133-3	Clamping Screw
4	267-92	Connecting Sleeve
5	170-25	Coupler
6	56280-01	Thick Washer, Small
9	17541	Ball Bearing
10	70591	Gear Case
11	70594	Spindle & Gear
12	52228	Gear Case Cover Assem. (Incl. Nos. 12A, 13, 46)
12A	50560	Gear Case Cover
13	20812	Needle Bearing
14	38016	Fan Baffle Plate
15	25999	#6-32 x 2" Fill. Hd. Scr. & W. (2)
16	56377-01	Field & Switch Case (Also 57035)
17	27760	#8-32 x 1/4" Slotted, Cup Point Set Screw (Torque To 4-7 In. Lbs.)
18	2178	#8-32 x 3/8" Fill. Hd. Scr. (2)
19	48601	Spring Washer
20	37414	Fibre Washer
21	50573	Roller Bearing
22	50575	Bearing Seal
23	49940	Brush (2)
24	50182	Brush Lead Terminal (2)
25	50230-01	Connector (2)
26	27766	Insulating Shield (2)
27	55443	Brush Holder (115V) (2)
	50233	Brush Holder (220V) (2)
28	36542	Brush Holder Clamp
29	50130	Brush Spring (2)
30	49944	Brush Holder Plug (2)
31	30613	Rubber Plug
32	58159-01	Switch Handle Cover
33	21348	#8-32 x 5/16" Oval Hd. Scr. (2)
34	52900-98	Cord & Plug (#18-3 SJT-7 Ft.)
35	36478	Attachment Plug
36	2379	#8-32 x 5/16" Bind. Hd. Term. Scr. (Grd.)
37	418	#8 Lockwasher
38	1747	Lead Terminal
39	57362	Switch (Also 56924)
40	57363	Switch Button
41	57587-71	Field (115V) (Incl. No. 24 [2], 25 [2])
	57587-75	Field (220V) (Incl. No. 24 [2], 25 [2])
42	57642-31	Armature & Fan (100V-115V) (Incl. No. 43)
	50581-42	Armature & Fan (220V-240V) (Incl. No. 43)
43	27773-01	Fan
44	50584	Felt Washer
45	39544	#8-32 x 1 1/2" Dowel Scr.
46	52483	Roller Thrust Bearing

PARTS NOT SHOWN

13358	#8-32 x 2" Fill. Hd. Scr. (2) (In Gear Case)
56378	Switch Spring

WARRANTY DOES NOT APPLY IF UNIT IS NOT PROPERLY LUBRICATED

WHEN ORDERING REPLACEMENT PARTS BE SURE TO STATE MODEL AND SERIAL NUMBER OF SAW AND GIVE PARTS NUMBERS AND DESCRIPTIONS.

The trigger locking device has purposely been removed from the power unit for the sake of safety. If by chance a locking device is later installed on the power unit it SHOULD NEVER be locked on the "ON" position.