

SAFETY RULES
MODEL KL-2030
ELECTRIC NIBBLER



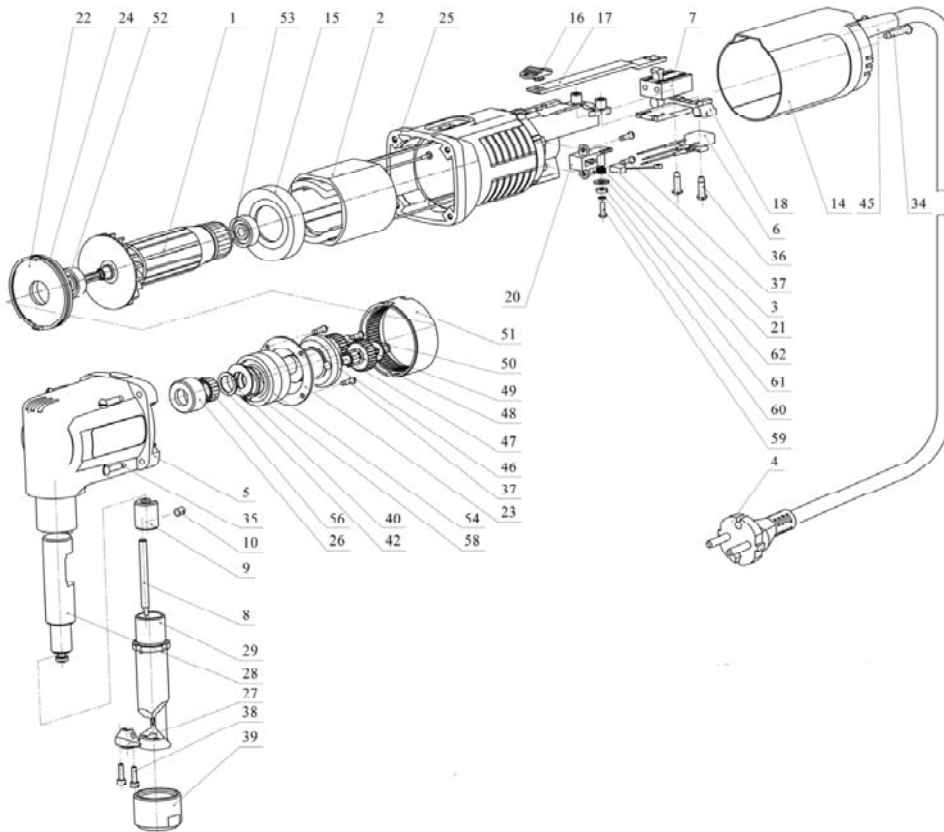
The KL-2030 has a
DOUBLE INSULATED
power unit equipped with a
2 wire cord and
2 prong plug



Model KL-2030

18 GAUGE LONG NECK NIBBLER

COMPONENT PARTS LIST



ITEM NO.	PART NO.	DESCRIPTION	REQ'D TOOL	ITEM NO.	PART NO.	DESCRIPTION	REQ'D TOOL
1	L1012	Armature	1	34	L1049	Screw	2
2	L1011	Fields	2	35	L1055	Screw	4
3	L1044	Brush	1	36	L1005	Screw	2
4	872824	Power cord	1	37	L1030	Screw	8
5	L1073	Gear Housing	1	38	L1066	Screw	2
6	L1004	Capacitor	1	39	L1067	Nut	1
7	L1003	Switch	1	40	L1068	Washer	1
8	L1062	Punch	1	42	L1069	Washer	1
9	L1071	Punch Holder	1	45	L1002	Cord Releif	1
10	L1074	Screw	1	46	L1063	Planet Carrier	1
14	L1000	Motor Housing, Rear	1	47	L1027	Shaft	2
15	L1014	Diafragm	1	48	L1020	Satellite	2
16	L1009	Trigger	1	49	L1028	Washer	2
17	L1008	Lever	1	50	L1019	E-Ring	2
18	L1046	Insert	1	51	L1021	Ring Gear	1
20	L1045	Brush Holder	2	52	L1016	Bearing	1
21	L1050	Spring	2	53	L1007	Bearing	1
22	L1018	Intermediate Disk	1	54	L1023	Bearing	2
23	L1029	Disk	1	56	L1022	Needle	38
24	L1017	Seal	1	58	L1024	Retaining Ring	1
25	L1010	Motor Housing, Front	1	59	L1054	Screw	2
26	L1059	Race	1	60	L1051	Washer	2
27	L1060	Die	1	61	L1052	Washer	2
28	L1061	Plunger	1	62	L1072	Washer	2
29	L1065	Die Holder	1				

IMPORTANT SAFETY INSTRUCTIONS

Warning

When using electric tools basic safety precautions should always be followed to reduce the risk of fire, electric shock, and personal injury, including the following:

Read all instructions.

Save these instructions.

For KL-2030 and all double insulated tools:

When servicing, use only identical replacement parts.

SPECIFIC SAFETY RULES

Keep Work Area Clean

Cluttered areas and benches invite accidents. Keep work area well lit.

Avoid Dangerous Environment Don't expose power tools to rain or snow. Don't use power tools in damp or wet locations.

The symbol on the Caution Label is mean to convey this message. Ne pas exposer a la pluie et ne pas utiliser dans les emplacements humides.

Definitions of Symbols

N₀ - No load speed

/min - per minute



Double insulated motor



Guard Against Electric Shock

Prevent body contact with grounded surfaces, for example: pipes, radiators, ranges, refrigerator enclosures.

Keep Children Away

Do not let visitors contact tool or extension cord. All visitors should be kept away from work area.

Store Idle Tools

When not in use, tools should be stored in dry, high or locked-up place out of reach of children.

Don't Force Tool

It will do the job better and safer at the rate for which it was designed.

Use Right Tool

Don't force a small tool to do the job of a heavy duty tool. Don't use tool for on purpose not intended, for example-don't use a circular saw for cutting tree limbs or logs.

Dress Properly

Do not wear loose clothing or jewelry. They can be caught in moving parts. Rubber gloves and footwear are recommended when working out doors. Wear protective hair covering to contain long hair.

Use Safety Glasses

Use safety equipment. Always wear eye protection.

Don't Abuse Cord

Never carry tool by cord or yank it to disconnect from receptacle. Keep cord from heat, oil, and sharp edges. Replace damaged cords immediately.

Secure Work

Use clamps or vise to hold work. It's safer than using your hand and it frees both hands to operate tool.

Don't Overreach.

Keep proper footing and balance at all times.

Maintain Tools with Care

Keep tools sharp and clean for best and safest performance. Follow instructions for lubricating and changing the punch and die. Inspect tool cords periodically and if damaged, have repaired by authorized service facility. Inspect extension cords periodically and if damaged or replace. Keep handles dry, clean, and be free from oil and grease.

Disconnect Tools

When not in use; before servicing; when changing Punches, Dies, Brushes, etc.

Remove Adjusting keys and Wrenches

Form Habit of checking to see that keys and adjusting wrenches are removed from tool before turning it on.

OPERATION

Avoid Accidental Starting

Don't carry plugged-in tool with finger on switch. Be sure switch is OFF when plugging in. Use of any accessory with this power unit might increase the hazard. The tool should be used only for the purpose for which it is designed.

Plug

THE POLARIZED PLUG IS A SAFETY FEATURE. This tool is equipped with a polarized two wire AC line plug. The two wire polarized plug (having one blade wider than the other) will fit into the power outlet only one way. DO NOT DEFEAT THE SAFETY PURPOSE OF THE POLARIZED PLUG, by tampering with it. If the plug does not fit you should still be unable to fully insert the plug into the socket, you may find that a proper outlet is needed to meet today's electrical standards. An electrician will replace your outlet safely.

Extension Cords

Always check the extension cord and repair or replace if damaged.

Outdoor Use Extension Cords

When tool is used outdoors, use only extension cords marked W-A or W.

Stay Alert

Watch what you are doing, use common sense when operating a power tool. Do not use tool while tired or under the influence of drugs, alcohol or medication.

Check Damaged Parts

Before further use of the tool, a guard or other part that is damaged should be carefully checked to determine that it will operate properly and perform its intended function. Check for alignment if moving parts, binding or moving parts, breakage of parts, mounting, and any other conditions that may affect its operation. A guard or other part that is damaged should be properly repaired or replaced by an authorized service center unless otherwise indicated elsewhere in this instruction manual. Have defective switches replaced by authorized service center. Do not use tool if switch does not turn it on or off. **DO NOT OPERATE** power tools in explosive atmospheres such as in the presence of flammable liquids, gases, or dust. Motors in these tools normally spark and sparks can possibly ignite fumes.

Read all instruction.

Save these instructions.

FUNCTIONAL DESCRIPTION

Pre-starting procedure (Fig. 1)

- Check all fasteners to be sure they are tight.
- Check the trigger (3) to see that it is moving freely.

Switching on and off (Fig.1)

- Move the trigger (3) forward to turn the nibbler ON; moving the trigger back turns the nibbler OFF.
- Red dot on the housing (4) near the trigger (3) shows that switch is in ON position.

Test run

Perform a no-load test run of 10-15 seconds prior to starting cutting.

Operating procedure

- With the nibbler 'ON' insert it into the cutting sheet at the lower V-shaped slot between the die holder (13) and the die (12).
- When cutting, hold the tool so, that the punch (11) is at a right angle to the sheet plane.
- Move the nibbler carefully without putting too much pressure in direction of the cut.
- The temperature of the gear box (1) and the front motor housing (4) should not exceed accordingly 108°F and 90°F above ambient. The cooling holes should be always clean and un-obstructed.
- For cutting within the sheet, it is necessary to drill a pilot hole with the minimum diameter of about 7/8 of an inch, large enough to insert the die holder (13).
- Periodically, before beginning to work and after cutting about 5-6 feet of material, it is necessary to lubricate the punch (11) and the die (12). Dip the end of the die holder into light oil 5/8" to 3/4" deep. Also, lightly lubricate the top surface of the metal sheet along the cutting line.
- It is recommended to take a break to cool the gear box to ambient temperature after cutting of every 12 to 15 feet in order to extend the tool life.
- Periodically lubricate the plunger (7) and the punch holder (10).

Punch and die replacement

When the cutting edges of the punch and/or die become worn, it is necessary to replace them. When replacing parts, clean all chips from the tool.

To replace the punch:

- Unfasten nut (8) and take the die holder (13) off.
- Place plunger (7) and punch (11) with the punch holder (10) to the bottom stroke by rotating the fan through holes in the gear box.
- Take the punch, the punch holder and plunger off.
- Unfasten the lock screw (9).
- Replace the punch.
- Fasten the punch lock screw.
- Re-assemble the tool.
- After replacing the punch, check the tool at no-load speed for 30-60 seconds. The die holder should not get warm.

To replace the die:

- Unfasten screws (15).
- Replace the die.
- Refasten screws (15).

Setting up the nibbler for corrugated sheets cutting

Sometimes you may find it easier cutting corrugated material with the tool turned sideways. To do so:

- Unfasten nut (8) 3 to 4 revolutions.
- Pull the die holder (13) out to disengage it from the internal locking notches.
- Turn the die holder (13) by 90° relative to position shown in Fig.1.
- Push the die holder back in, making sure it has engaged the locking notches.
- Tighten nut (8) .

MAINTENANCE

- Before beginning any work on the nibbler, make sure the tool is unplugged.
- Any maintenance work should be performed by a qualified repairman.
- For safe and proper working, always keep the tools ventilation slots clean and unobstructed.
- Any serious repairs should be made by a KETT Tool service department.
- Periodically, depending on operation intensity, check the brushes and change them when their height is lower than 5/16 of an inch. When re-assembling, don't change the brush position in the brush holder. When servicing, use only identical replacement parts. Tool may be cleaned and lubricated by the user, but any other servicing, including the changing of carbon brushes, should be performed by the manufacturer or any authorized representative or service station.

Cable

The cable or cord is the "life line" of your tool. Keep it clean by wiping it off occasionally. Keep it out of oils and greases. Coil it neatly when not in use and avoid dragging it across sharp surfaces or using it as a handle to lift the tool.

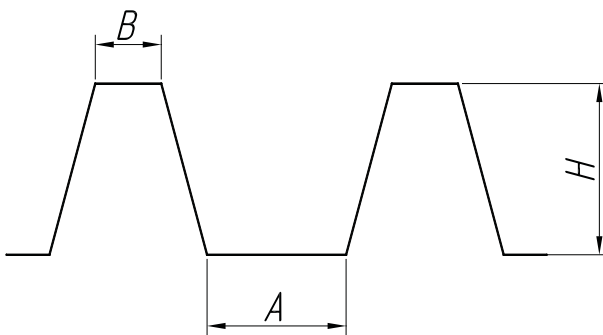
When using the tool at a considerable distance from power source, an extension cable of adequate size must be used to prevent loss of power and over-heating.

For extension cables up to 75 feet use number 18; for 100 feet use number 16; and for up to 200 feet use number 14 wire gage. If you are working with a 230 volt tool, cable lengths may be doubled using the same wire gage sizes as prescribed above for the 120 volt tool.

KL-2030 Nibbler Corrugated Profile Cutting Capability Specs

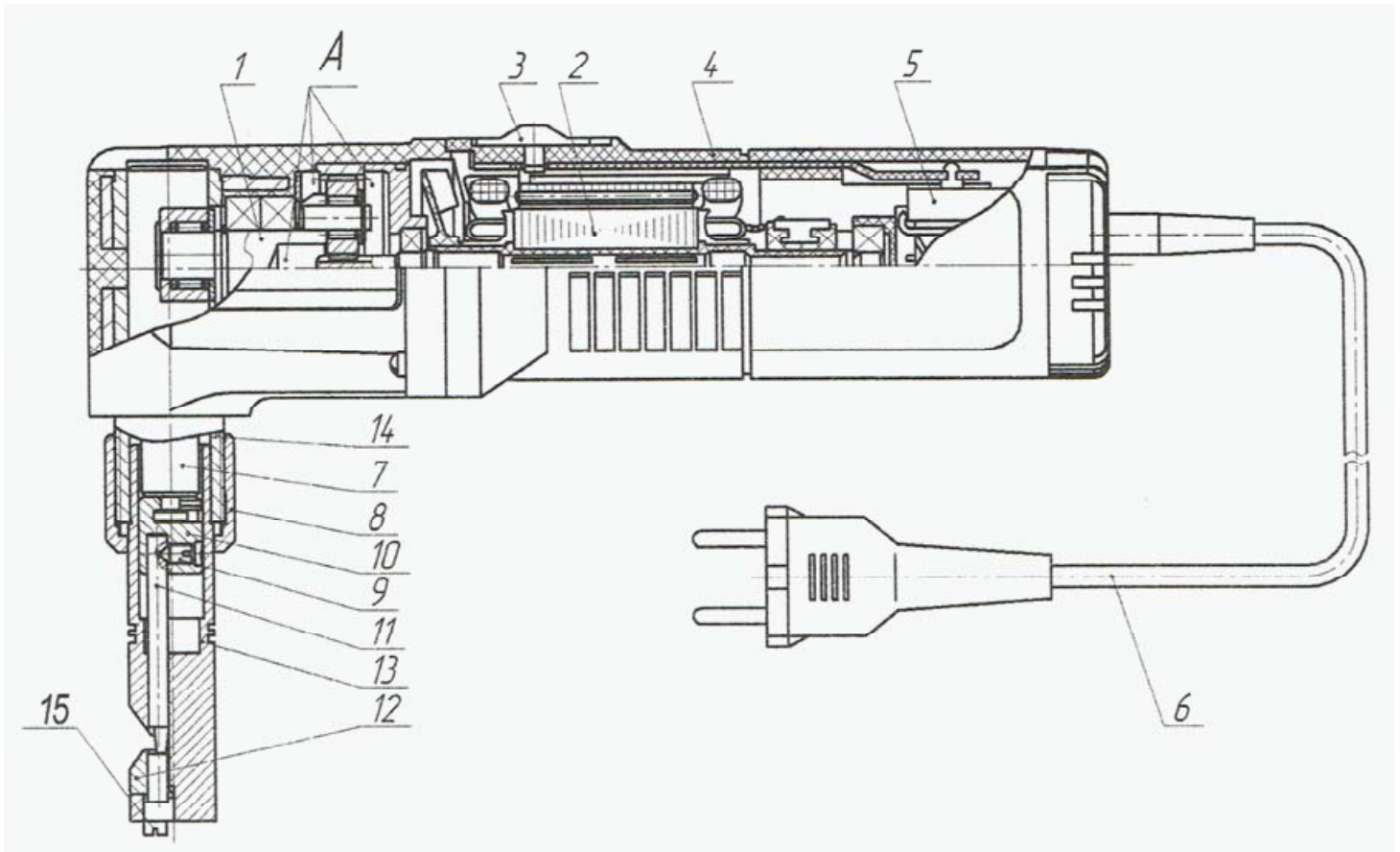
Profile material should have geometry, complying with the following specs (in inches):

- A from .787 to 6.3 and B over .787, H is less than 3;
- A over 6.3 and B over .787, there are no limitations for H;
- A less than .787 and B over .787, H is less than 1;
- Both A and B less than .787, H is less than .197;
- For round corrugations there are no limitations.



B-crest width; A-valley width; H-height

Pic. 1 – corrugated profile geometry



- 1-Gear box
- 2-Electric motor
- 3-Trigger
- 4-Motor housing, front
- 5-Switch
- 6-Power cord
- 7-Plunger
- 8-Nut
- 9-Screw
- 10-Punch holder
- 11-Punch
- 12-Die
- 13-Die holder
- 14-Bushing
- 15-Screw

Fig. 1: KL-2030 nibbler main components



The Kett Tool Company
 5055 Madison Road
 Cincinnati, Ohio 45247
 (513)271-0333
 fax (513)271-5318
 www.kett-tool.com
 info@kett-tool.com
 K12-390